

LEGEND			
EXISTING	NEW	LOW	DEMO
WALLS			
NEW/RELOCATED DOOR			

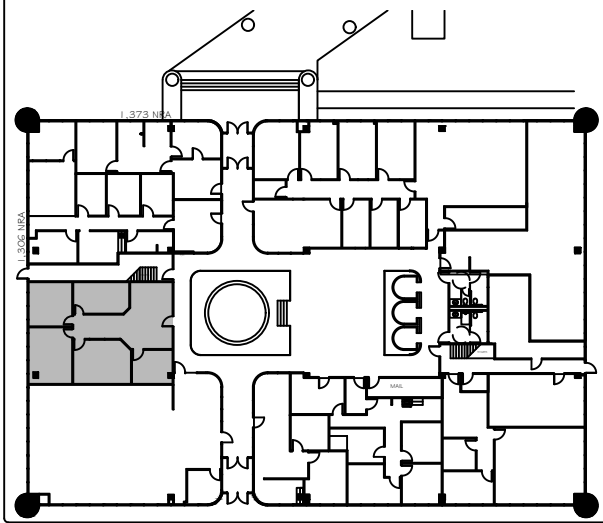
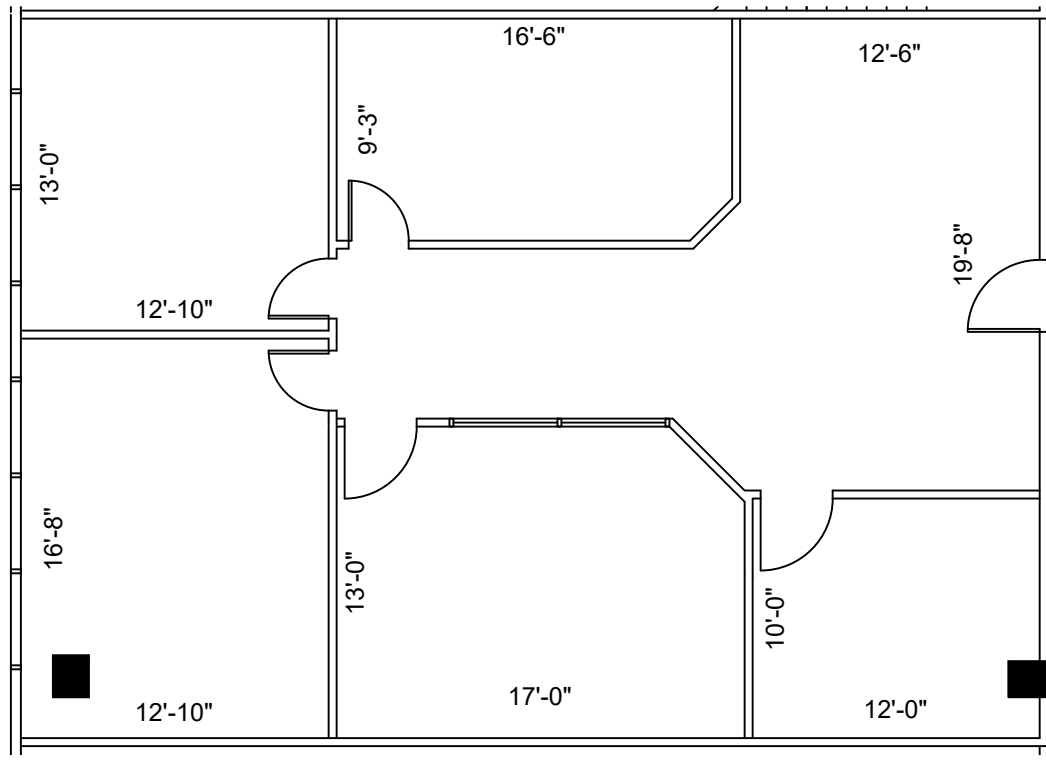
ISSUE DATES	
DATE	DESCRIPTION
03-27-2023	ISSUE FOR REVIEW

652 - 11811 NORTH FREEWAY
 11811 NORTH FREEWAY HOUSTON, TX 77060
 SUITE 190

PROJECT:	652 - 11811 NORTH FREEWAY
PLLOT SCALE:	1/8" = 1'-0"
CHECKED BY:	WM
FILE NAME:	652 - 11811 NORTH FREEWAY
DRAWN BY:	WM

SHEET TITLE
EXISTING FLOOR PLAN

SHEET NUMBER
EX-1



1st FLOOR
 KEY PLAN

SUITE 190
1,514 NRA

1 FLOOR PLAN
 SCALE: 1/8"=1'-0"

FLOOR PLANS MAY NOT BE TO SCALE AND MAY NOT REFLECT EXISTING CONDITIONS AND SHALL NOT BE RELIED UPON AS SUCH THESE DRAWINGS ARE DESIGN INTENT AND ARE AN EXHIBIT TO THE LEASE