

LEGEND

EXISTING WALLS	NEW WALLS	DEMOLITION
NEW/RELOCATED DOOR	N/R	

ISSUE DATES

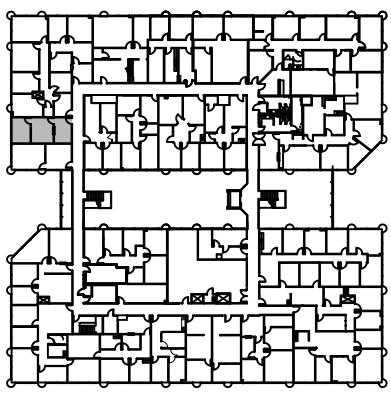
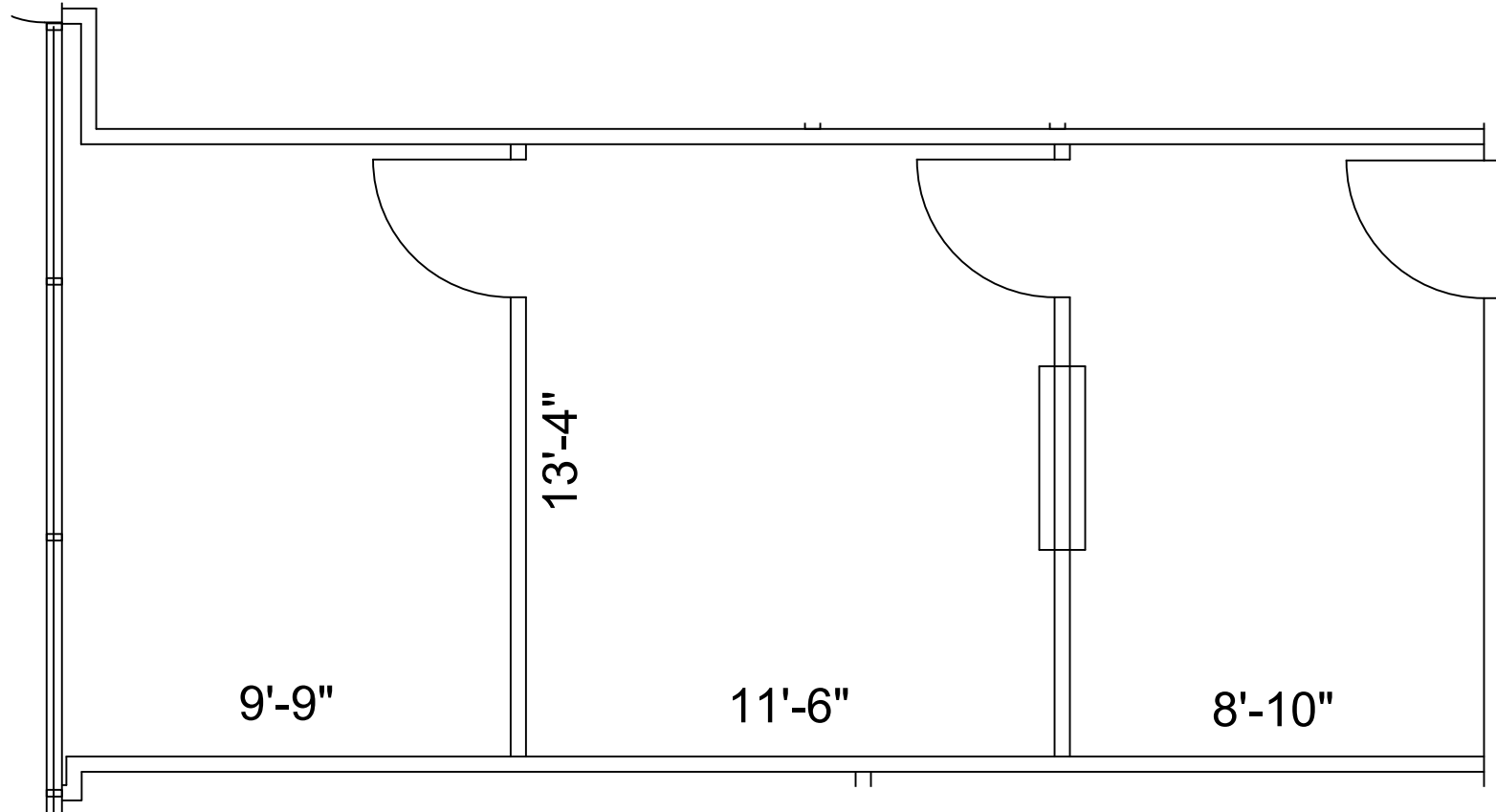
03-29-2023	ISSUE FOR PERMIT

REGENCY SQUARE  
 7211 REGENCY SQUARE BLVD, HOUSTON, TX 77036  
 SUITE 221

PROJECT:	0719-REGENCY SQUARE
PLLOT SCALE:	1/4" = 1'-0"
CHECKED BY:	WM
FILE NAME:	0719-REGENCY SQUARE
SHEET SIZE:	8.5 X 11
DRAWN BY:	WM

SHEET TITLE  
**EXISTING FLOOR PLAN**

SHEET NUMBER  
**EX-1**



2nd FLOOR  
 KEY PLAN

**1 FLOOR PLAN**  
 SCALE: 1/4"=1'-0"

FLOOR PLANS MAY NOT BE TO SCALE AND MAY NOT REFLECT EXISTING CONDITIONS AND SHALL NOT BE RELIED UPON AS SUCH THESE DRAWINGS ARE DESIGN INTENT AND ARE AN EXHIBIT TO THE LEASE