

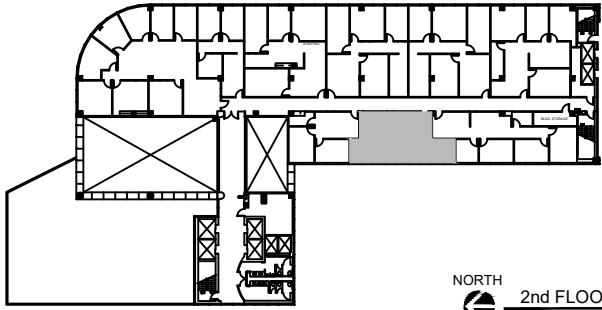
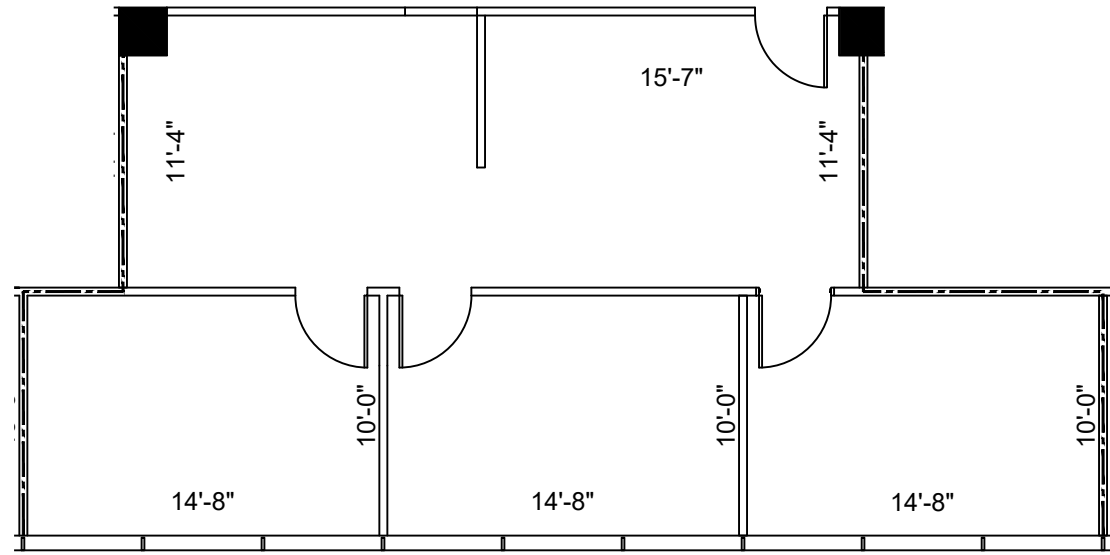
LEGEND			
EXISTING	NEW	LOW	DEMO
WALLS			
NEW/RELOCATED DOOR			

ISSUE DATES	
DATE	DESCRIPTION
04-05-2023	ISSUE FOR REVIEW

400 NORTH BELT  
 400 NORTH SAM HOUSTON PARKWAY EAST  
 HOUSTON, TX 77060  
 SUITE 270

PROJECT:	400 NORTH BELT
PLLOT SCALE:	1/8" = 1'-0"
CHECKED BY:	WM
FILE NAME:	400 NORTH BELT
SHEET TITLE:	EXISTING FLOOR PLAN

SHEET NUMBER  
**EX-1**



NORTH  
 2nd FLOOR  
 KEY PLAN

**1** SUITE 270  
 1,000 NRA  
 FLOOR PLAN  
 SCALE: 1/8"=1'-0"

FLOOR PLANS MAY NOT BE TO SCALE AND MAY NOT REFLECT EXISTING CONDITIONS AND SHALL NOT BE RELIED UPON AS SUCH THESE DRAWINGS ARE DESIGN INTENT AND ARE AN EXHIBIT TO THE LEASE